

HITACHI

VK-S914 / VK-K914

High Performance Colour and Mono CCTV Cameras

- High reliability built-in x16 optical power zoom lens/Auto Focus/Auto Iris
- High resolution 1/4" colour CCD pickup
- AI/Fuzzy picture control with advanced DSP
- Remote control through RS-232C
- 2H vertical enhancer
- Internal/external sync (AC-line pulse signal)



X16
OPTICAL
ZOOM

D.S.P.
Digital Signal Processor

VK-S914 / VK-K914

Designed specifically for system integration, the 914 family comprises four compact colour and monochrome, chassis style CCTV cameras. Available in PAL, NTSC, CCIR and EIA formats, all models feature built in x16 optical power zoom, advanced DSP (Digital Signal Processor), a 1/4" high resolution CCD and RS-232C control facility.

Maximum Versatility

The sturdy metal chassis is extremely compact and designed especially for a dome installation. A variety of fixing holes means complete flexibility whatever the installation configuration.

Built-in Optical x16 Power Zoom Lens

The built-in x16 optical zoom lens is of a very high quality and offers auto focus, auto iris plus variable speed zoom functions. Each camera also includes a x2 digital zoom which combines with the optical zoom for a total zoom ratio of x32.

Image Quality and Control

The chassis is equipped with a newly developed high sensitivity, high resolution CCD pickup, producing a horizontal resolution in excess of 500 TV-lines for the monochrome camera and over 450 TV-lines for the colour versions. The monochrome cameras boast a sensitivity of 0.1 lux.

With AI/DSP control, all models offer Auto Iris adjustment to maintain video output at a fixed level during changes of ambient illumination, while backlight compensation ensures bright and clear images, even under strong backlit scenes. On the colour cameras Auto White Balance adjusts for natural colour reproduction according to the colour temperature of the light source (fluorescent lights, etc).

RS-232C Control

Remote control of operational functions including zoom, focus and iris is possible via RS232. The capabilities of the RS232 interface also extend to camera set up, including white balance (for colour) and electronic signal gain.

2H Vertical Enhancer

Vertical edges are digitally enhanced to make recorded images clear and stable which is particularly useful when monitoring a moving object.

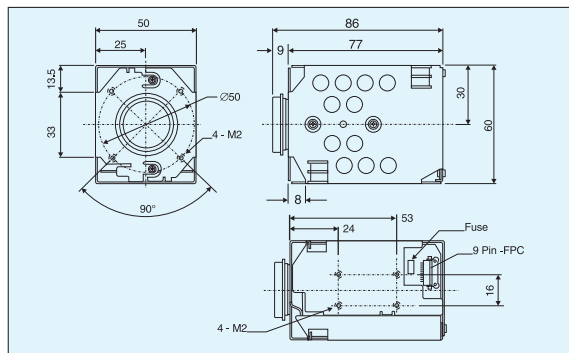


Connection options:

VK-CON7 - a pcb with ribbon connector and trailing leads

704MINIPLUG - ribbon connector for surface mounting

Specifications



Model Number	VK-S914E	VK-K914E	VK-S914	VK-K914
Signal Format	PAL	CCIR	NTSC	EIA
Sensitivity	3 lux	0.1 lux	3 lux	0.1 lux
Horiz. resolution	>450 lines	>500 lines	>450 lines	>500 lines
Effective pixels	752 x 582 = 440k		768 x 494 = 380k	
Total pixels	795 x 596 = 470k		811 x 508 = 410k	
Shutter speed	Auto/Manual, 1/50 ~ 1/30k		Auto/Manual, 1/60 ~ 1/30k	
Image sensor	1/4" CCD			
Lens	F1.4, f = 4~64mm, high durability x16 zoom			
Angle of view	Horizontal 47° (wide), 3° (tele)			
Focal length	∞ ~ 1.0m (tele), ∞ ~ 0.01m (wide)			
Signal process	Digital Signal Processor (DSP-III R)			
Sync system	Internal or external			
Luminance S/N	More than 46dB			
Functions under RS-232C control				
Optical zoom	TELE~WIDE* (zoom speed: 3.6 sec/6 sec)			
Digital zoom	Off*/On (up to 2x)			
Video focus	Auto*/Manual			
White balance	Auto*/Manual	No	Auto*/Manual	No
Iris control	Auto*/Manual			
Gain control	Auto*/Manual			
Power supply	9VDC ± 0.5V, 3.2W max			
Temperature	0°C ~ 60°C (recommended 0°C ~ 40°C)			
Humidity	10 ~ 85%			
Dimensions	50 x 60 x 86mm (W x H x D)			
Weight	Approx 235g			
* Default setting. Design and specifications are subject to change without notice.				

HITACHI

Business Systems Division

Hitachi Home Electronics (Europe) Ltd

Station Road, Hayes,
Middx UB3 4DR, United Kingdom

Tel: +44 (0)181 849 2092

Fax: +44 (0)181 849 2463

www.hitachi-eu-bsd.com