

VK-S214R(NTSC)/VK-S214ER(PAL)

CCTV High-Resolution Color Camera with DSP and X22 Power Zoom

- High Durability Built-In X22 Optical Power Zoom Lens with Auto Focus/Auto Iris
- High-Resolution 1/4-Inch Color CCD Pickup
- AI/Fuzzy Picture Control with Advanced DSP (AI Auto Iris/AI Auto White Balance)
- Remote Control through RS-232C
- 2H Vertical Enhancer
- Internal/External Sync. (AC-Line Pulse Signal)



X22
OPTICAL
ZOOM



D.S.P.
Digital Signal Processor

VK-S214R(NTSC)/VK-S214ER(PAL): CCTV High-Resolution Color Camera with D.S.P. and X22 Power Zoom

The VK-S214R/VK-S214ER are compact chassis-type CCTV cameras designed for easy integration into surveillance systems. A built-in zoom lens permits the user to monitor the scene from variable viewing angles — ranging from wide to telephoto. And remote focus, iris and zoom control are possible with the RS-232C connection. These features plus a 1/4-inch high resolution color CCD pickup make the VK-S214R/VK-S214ER suitable for surveillance situations.

Metal Frame for Easy Installation

The VK-S214R/VK-S214ER come in the compact metal frame so you can install it in the casing of your choice. The solid metal frame allows the camera to track an object with reliability.

Built-In Optical Power Zoom Lens

The VK-S214R/VK-S214ER's built-in X22 optical zoom lens is highly reliable and offers auto focus, auto iris and zoom functions, letting the user monitor a scene from any desired angle of view. In conjunction with X2 digital zoom, the total zoom ratio is X44.

High Resolution

The chassis is equipped with a high-sensitivity, high-resolution 1/4-inch CCD pickup featuring approximately 380,000 (VK-S214R)/440,000 (VK-S214ER) effective pixels. Thanks to a high 470 (VK-S214R)/460 (VK-S214ER) TV-lines horizontal resolution, picked-up images are reproduced with detail and clarity.

AI (Artificial Intelligence) Digital Signal Processing Control

AI Auto Iris: Adjusts iris so that video output is kept at a fixed level, even if surrounding illumination changes.

AI Auto White Balance: Provides natural color reproduction according to ambient lighting.

Backlight Compensation

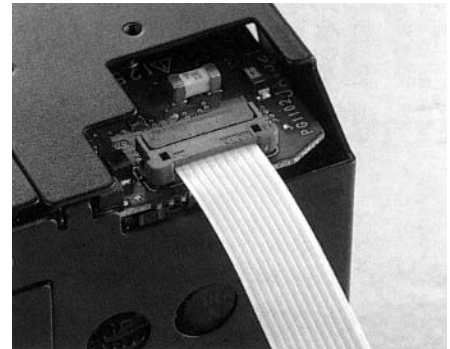
You can control the video signal level for backlight compensation.

Remote Control through RS-232C

Remote operations are possible via the RS-232C, which allows control of the camera's focus, iris and zoom.

2H Vertical Enhancer

Vertical edges are digitally enhanced to make recorded images clear and stable — useful when monitoring a moving object.



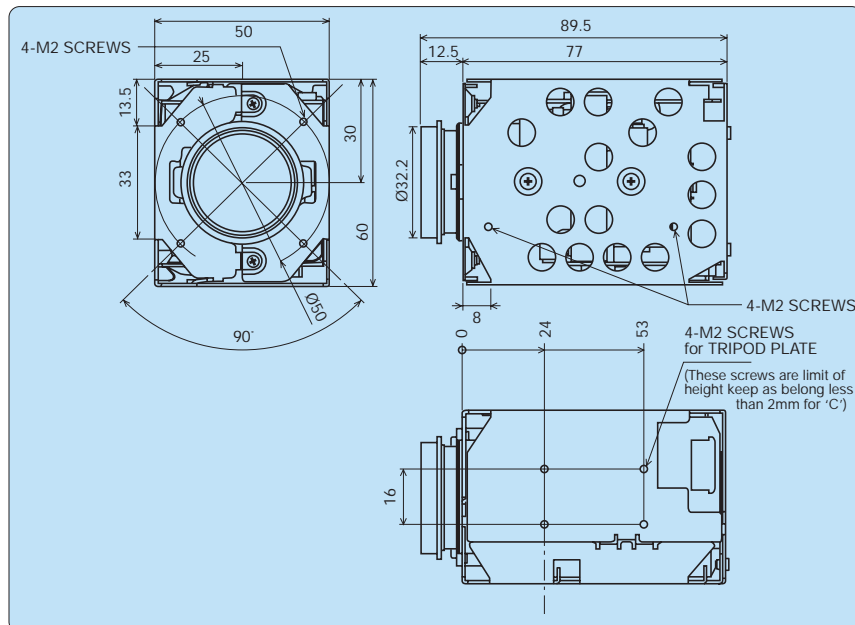
Flat ribbon connector (OPTIONAL)

VK-S214R/S214ER Specifications

Signal Format	VK-S214R: NTSC, VK-S214ER: PAL
Scanning System	2:1 interlacing
Scanning Frequency	Horizontal: 15.734kHz (NTSC) 15.625kHz (PAL) Vertical: 59.94Hz (NTSC) 50.Hz (PAL)
Image Sensor	1/4" CCD
Total Pixels	811(H) x 508(V): 410k (NTSC) 795(H) x 596(V): 470k (PAL)
Effective Pixels	768(H) x 494(V): 380k (NTSC) 752(H) x 582(V): 440k (PAL)
Lens:	F1.6 (f = 4-64 mm) High Durability X22 Zoom Lens Video Auto Focus
Angle of View	Horizontal 47.3°(Wide), 2.2° (Tele)
Min. Distance	1.6m (Wide), 0.01m (Tele)
Signal Processing	Digital Signal Processor (DSP-III R)
Sync. System	Internal/External
Camera Functions	(Control through RS-232C)
Optical Zoom	TELE-WIDE (Zoom Speed: 3.9 sec*/6.3 sec) Off*/On (up to 2 X)
Digital Zoom	Auto*/Manual (NEAR-FAR)
Video Focus	Auto*/Manual (Red/Blue)
White Balance	Gain Level: UP-DOWN)
Shutter Speed	Auto*/Manual: 1/60 – 1/30,000 (NTSC), 1/50 – 1/30,000 (PAL)
Iris Control	Auto*/Manual (Manual Iris Level: UP-DOWN; Auto Iris Control Level: UP-DOWN)
Gain Control	Auto*/Manual (Auto Gain Control Level: UP-DOWN)
Other Control	Position Preset
Sensitivity	3 lux
Horizontal Resolution	More than 470 (VK-S214R)/460 (VK-S214ER)
Luminance S/N	More than 50 dB
Video Output	Composite: 0.714 ± 0.07V p-p
Supplied Voltage	9.0V-12.0 DC ± 0.5V
Power Requirement	4.8W (Max)
Operating Temperature	0° - 60° (Recommended: 0° - 40°)
Operating Humidity	10 - 85%
Dimensions	50 (W) x 60 (H) x 89.5 (D) mm
Weight	Approx. 218g

*Default Setting

Designs and specifications are subject to change without notice



HITACHI
Hitachi, Ltd. Tokyo Japan

Hitachi, America, Ltd.
1855 Dornoch Ct., San Diego, CA 92154-7225, USA
Tel: 800-981-2588 Fax: 800-438-7098
Tel: +1-619-661-0227 Fax: +1-619-661-3971
www.hitachi.com

Hitachi Europe Ltd.
Whitebrook Park, Lower Cookham Road,
Maidenhead, Berkshire SL6 8YA
Tel: +44 (0)1628 585 000 +44 (0)1628 643 404
www.hitachidigitalmedia.com

Printed in Japan