

# **ULTRA-COMPACT** CCD CAMERA **VK-U174** (NTSC)

Ultra-compact high-sensitivity camera with X10 power zoom and improved CCD

- *Ultra-Compact and Lightweight*
- *Privacy Zone Masking*
- *Remote Control Capability through RS-232C Interface*
- *Antivibration Cushioning*
- *Environmentally Friendly*



**Lead-free**



Actual Size



# The VK-U174—Improved Compactness for Limitless Applications

Small is versatile. When size means everything Hitachi's VK-U174 gets results!

The VK-U174 (NTSC) is a lead-free ultra-compact chassis-type camera that weighs in at around 3.5 ounces. About the size of your little finger in length, small this new camera may be, but it's no lightweight when it comes to performance and functionality.

## Environmentally Friendly

With this new lead-free model, make your organization environmentally conscious. The VK-U174 enables you to not only monitor your environment but also help preserve it.

## Mirror Image Function

The mirror image function enables reversing the field of view depending on the camera's position.

## Privacy Zone Masking Function

When there are windows, entrances and other objects within the camera's vision that are not subject to surveillance, they can be masked on the monitor for protection of privacy.



## Digital Slow Shutter (D.S.S.)

The Digital Slow Shutter allows the camera a long exposure time of 1/1 second (manual cont.). This translates into a higher sensitivity and minimum illumination of only 0.1 lx (color, 1/4s). Since more color data is captured and stored by the camera, you can see things not visible with conventional video cameras.

## Remote Control through RS-232C

Remote operations are possible via the RS-232C, which allows control of the camera's focus, iris, zoom, shutter speed and so on. Use this connection for peace of mind monitoring at remote locations.

## Antivibration Function

Internal rubber cushioning positioned at four points on the lens enable the VK-U174 to take smooth footage—even when used in moving vehicles.



## Compact Onboard Monitoring

Space is often a factor when driving. Let the new compact VK-U174 camera provide you with an onboard monitoring solution that won't get in the way. Cumbersome cameras are now a thing of the past. After installing the VK-U174 you won't even know its there yourself—let alone the offending vehicle.



## Teleconferencing Revolutionized

Modern telecommunications have caused huge changes in the methods in which we conduct business. Stay ahead of the rest with the VK-U174. For a teleconferencing solution that will leave your clients astounded while leaving your competitors to pick up the pieces, choose small, choose versatile, choose Hitachi.



## Total Traffic Control

Monitoring traffic is important to all societies. The VK-U174 offers a versatile traffic control monitoring solution for traffic authorities. For keeping track of your city's traffic flow and transportation infrastructure in an unobtrusive way, Hitachi now has a solution that is compact and has excellent functionality.



## Downsized Conventional Monitoring Systems

Does your monitoring system stick out like a sore thumb? Being monitored should never be the focal point of your clients' visit. It is time you opt for the sleek VK-U174 with its compact design for a discrete solution. Cumbersome surveillance is now a thing of the past. Upgrade to downsize with a Hitachi solution.

Also use the VK-U174 to give cutting-edge presentations and enhance measurement observation.

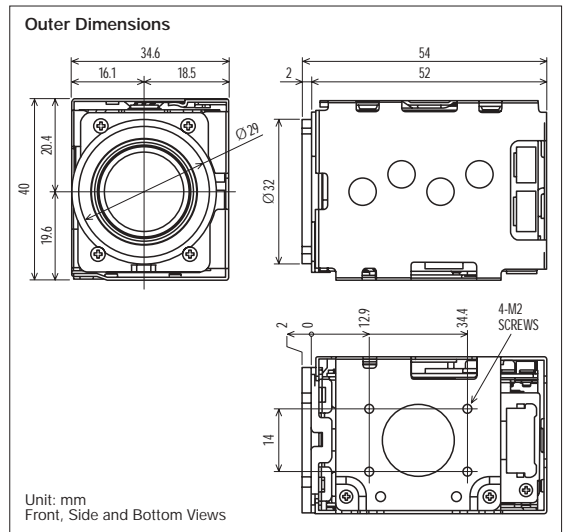
# Specifications

		NTSC Lead-free	
Lead-free Process		YES (Lead-free solder mounting board)	
CCD Image Sensor	Image	4.5mm Dia. (1/4-inch)	
	Total Pixels	410k (811 x 508)	
	Effective Pixels	380k (768 x 494)	
Lens: Optical	Zoom mag.	10X (f=3.8 - 38mm)	
	Practical f-value	3.8 - 38mm	
	Practical H.angle	50.7 (w) ~ 5.4 (t)	
	F-value	F1.8 (w) * ~ F2.4 (t)	
	Zoom Speed (Manual)	3.2s * / 4.3s (soft)	
	(In Preset : Trace / No-)	2.1s / 1.0s (soft)	
Focus	Auto	VAF	
	Manual (Far-Near)	Possible (soft)	
	Focal Range	infinity~1m (t) ~ 0.01m (w) * (soft)	
Durability	Zoom	50k cycles	
	Focus / Iris	100k cycles	
DSP		Digital Signal Processor (Hitachi DSP-6)	
Serial Interface Functions	RS-232C (speed)	57.6k / 38.4k / 19.2k / 9.6k / 4.8k * bps	
	Digital Slow Shutter (DSS)	YES (SDRAM I/F)	
	Image Reverse **	OFF * / ON (soft)	
	Mirror **	OFF * / ON (soft)	
	Mosaic	OFF * / ON (soft)	
	Image Freeze	OFF * / ON (soft)	
	Privacy Masking ***	OFF / ON * [ 2 zone 2-D * / 8 zone 3-D ] (soft)	
	Status Display ***	OFF * / ON [ Focus, BLC, DSS status ] (soft)	
	Picture Effects	YES [ Nega. picture, B/W picture ] (soft)	
	Various Customizable Settings	YES [ Preset store (max.64), WB fixed mode ]	
Digital Zoom	Zoom mag.	OFF * / ON [ max.12 X * (soft) ]	
Electrical Shutter	Auto	Pro.AE * (1/60~1/4ks)	
	Auto (+DSS)	Pro.AE+ (1/1~1/4*~1/4ks : Seamless)	
	Manual	Shutter priority	1/1 ~ 1/30ks : soft
		Exposure priority	F1.8 ~ F28.8 : soft
		AGC priority	0 ~ 30dB : soft
Manual (Sensitivity)	64x, 32x, 16x, 8x, 4x, 2x (soft)		
Iris		Auto * / (offset : soft)	
White Balance		Auto * / (manu : soft)	
Horizontal Resolution	Normal (1/60s)	470 TVL	
Luminance S/N ratio		more than 50 dB	
Min. Sensitivity	Normal (1/60s)	1 lx * (Color)	
	DSS (1/4s)	0.1 lx (Color)	
	Condition	(F1.8 (w), 300mV)	
Video Output		VBS / YC	
Sync System		Internal / Line-Lock (60Hz)	
Power	Supplied voltage	9 ~ 12V DC	
		9V input	12V input
	Supplied current	245mA	
		max.	295mA
Consumption max.	2.6W	3.0W	
Dimension	W x H x D	34.6 x 40.0 x 54.0mm (w/ M-case)	
Weight	Approx.	100g (w/ M-case)	
No. of Connectors		3 [ DC/Video/Line/RS-232C, YC, Key Ad ]	
Operating Temp. (Recommended): [°C]		0 ~ +50 ( ~ +40)	

\* Default mode

\*\* Combined use of the Image Reverse and Mirror functions is not possible.

\*\*\* Combined use of the Privacy Masking and Status Display functions is not possible.



**HITACHI**  
Hitachi, Ltd. Tokyo Japan

Hitachi, America, Ltd.  
900 Hitachi Way, Chula Vista, CA 91914-3556  
Tel: 800-981-2588 Fax: 800-438-7098  
Tel: +1-619-591-5200 Fax: +1-619-591-5201  
www.hitachi.com

Hitachi Europe Ltd.  
Whitebrook Park, Lower Cookham Road, Maidenhead,  
Berkshire SL6 8YA  
Tel: +44 (0)1628 585 000 Fax: +44 (0)1628 643 404  
www.hitachidigitalmedia.com

Hitachi Home Electronics Asia (S) Pte. Ltd.  
438A Alexandra Road #01-01/02/03,  
Alexandra Technopark,  
Singapore 119967  
Tel: +65-6536-2520 Fax: +65-6536-2521  
www.hitachimultimedia.com.sg

Hitachi Sales Corporation of Taiwan  
2nd F1., No. 65 Nanking E Rd.,  
Sec. 3 Taipei, 104 Taiwan  
Tel: +866 (02) 2516 0500 Fax: +866 (02) 2516 0512